

# 4900 SERIES LED LIGHTING FIXTURE

# INSTALLATION AND OPERATING INSTRUCTIONS

## IMPORTANT SAFEGUARDS

When using electrical equipment, basic safety precautions should always be followed, including the following:

## READ AND FOLLOW ALL SAFETY INSTRUCTIONS

All servicing should be performed by qualified personnel only.

Equipment should be mounted in locations and at heights where it will not readily be subjected to tampering by unauthorized personnel.

The use of accessory equipment not recommended by the manufacturer may cause an unsafe condition.

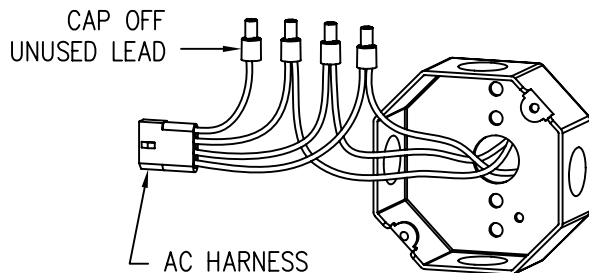
Do not mount near gas or electric heaters.

Do not use this equipment for other than intended use.

## SAVE THESE INSTRUCTIONS WARNING

Shut off AC power to branch circuits to which units will be connected. All wiring should be per National Electrical Code and local regulations.

### INSTALLATION INSTRUCTIONS



- 1) REMOVE AC HARNESS CONNECTOR FROM TRANSFORMER ASSEMBLY INSIDE UNIT EQUIPMENT. WIRE TO AC SUPPLY USING WIRE NUTS (NOT SUPPLIED). REFER TO HOOKUP INSTRUCTIONS BELOW.

## INSTRUCTIONS - HOOKUP

### AC HOOKUP - WITHOUT 2CKT OPTION

| 120 VAC OPERATION      | 277 VAC OPERATION     |
|------------------------|-----------------------|
| White Wire – Common    | White Wire – Common   |
| Black Wire – 120V Line | Blue Wire – 277V Line |
| Green Wire – Ground    | Green Wire – Ground   |

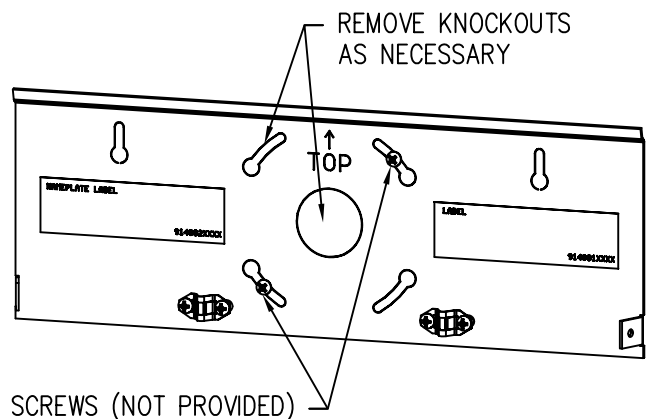
Unused primary wire must be insulated to prevent shorting

### BACKUP CIRCUITS HOOKUP - WITH 2CKT OPTION

|                                     |
|-------------------------------------|
| <b>120VAC, 60HZ 2 CIRCUIT INPUT</b> |
| Black wire to primary 120V leg      |
| Orange wire to backup 120V leg      |
| White wire to primary common        |
| Yellow wire to backup common        |
| Green wire to ground                |
| <b>277VAC, 60HZ 2 CIRCUIT INPUT</b> |
| Blue wire to primary 277V leg       |
| Orange wire to backup 277v leg      |
| White wire to primary common        |
| Yellow wire to backup common        |
| Green wire to ground                |

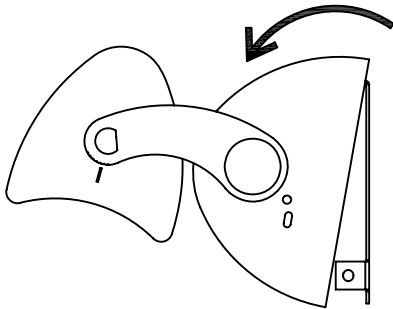
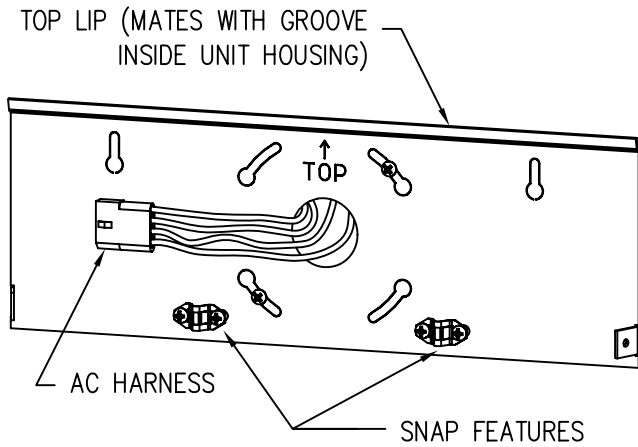
### 3 PHASE CIRCUITS HOOKUP - WITH 2CKT OPTION

|                                |
|--------------------------------|
| <b>TWO 120VAC, 60HZ INPUTS</b> |
| Black wire to first 120V leg   |
| Orange wire to second 120V leg |
| White & Yellow wire to common  |
| Green wire to ground           |
| <b>TWO 277VAC, 60HZ INPUTS</b> |
| Blue wire to first 277V leg    |
| Orange wire to second 277V leg |
| White & Yellow wire to common  |
| Green wire to ground           |

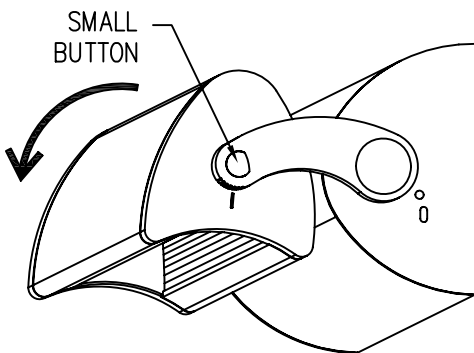


- 2) REMOVE KNOCKOUTS FROM MOUNTING PLATE AS NECESSARY. MOUNT TO 3- $\frac{1}{2}$ " OCTAGONAL JUNCTION BOX OR SINGLE GANG SWITCH BOX USING TWO SCREWS (NOT PROVIDED).

# 4900 SERIES



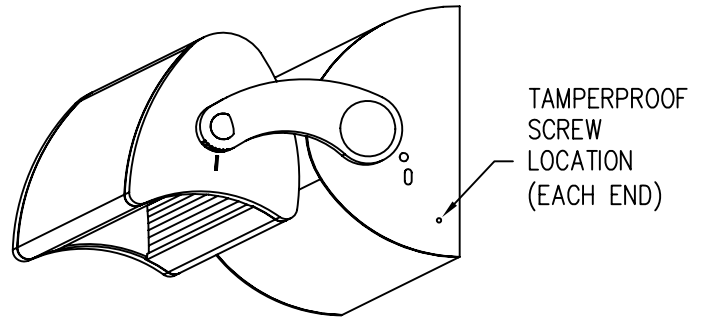
3) DRAW AC WIRING HARNESS THRU CENTER OPENING IN BACKPLATE. RECONNECT AC HARNESS TO TRANSFORMER ASSEMBLY. WHEN POWER HAS BEEN RESTORED, BOTH LAMPS SHOULD ILLUMINATE. ASSEMBLE UNIT TO BACKPLATE BY HANGING UNIT OFF OF TOP LIP ON BACKPLATE AND ROTATING DOWNWARDS UNTIL SNAPPING FEATURES ENGAGE.



4) LAMPHEAD MAY BE ADJUSTED BY PUSHING IN ON THE SMALL BUTTON LOCATED ON THE SIDE OF THE LIGHTBAR. ROTATE LAMPHEAD TO DESIRED ANGLE AND RELEASE BUTTON TO LOCK IN POSITION.

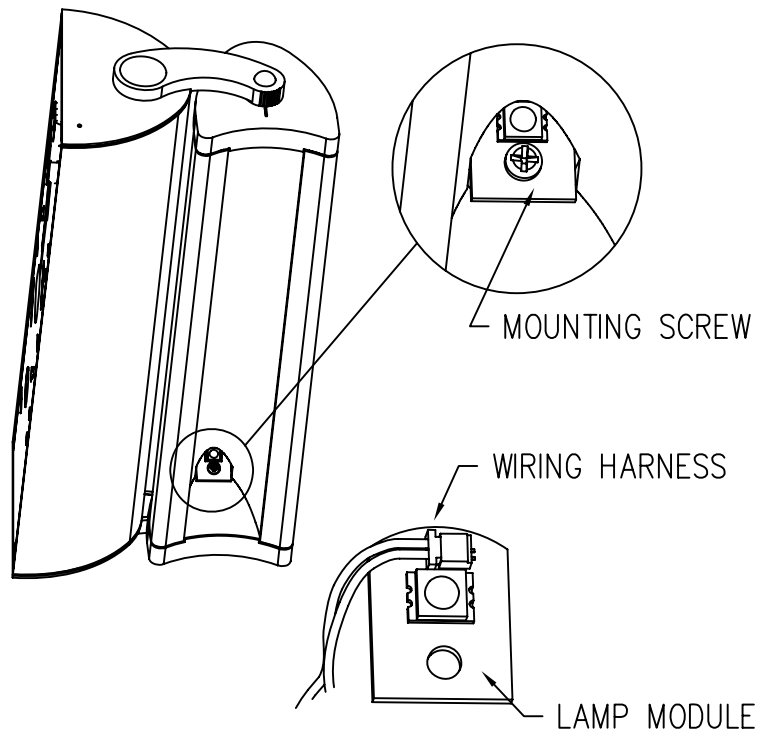
**IMPORTANT:** REMOVE PROTECTIVE PLASTIC FILM FROM REFELCTOR SURFACE!!

## TAMPER PROOF OPTION



IF TAMPERPROOF OPTION IS ORDERED, SCREW/BIT KIT #490009 IS PROVIDED. INSTALL SCREWS AT EACH END OF UNIT USING PROVIDED BIT.

## LAMP REPLACEMENT



REMOVE LAMP MODULE MOUNTING SCREW. SLIDE LAMP MODULE DOWN AND OUT OF REFLECTOR ASSEMBLY. DISCONNECT WIRING HARNESS AND DISCARD OLD LAMP MODULE. INSTALLATION IS REVERSE OF REMOVAL. BE CERTAIN THAT THE MOUNTING SCREW IS TIGHTENED SUFFICIENTLY. FAILURE TO ADEQUATELY TIGHTEN SCREW WITH RESULT IN REDUCED HEAT SINKING OF LAMP AND WILL REDUCE LAMP LIFE.